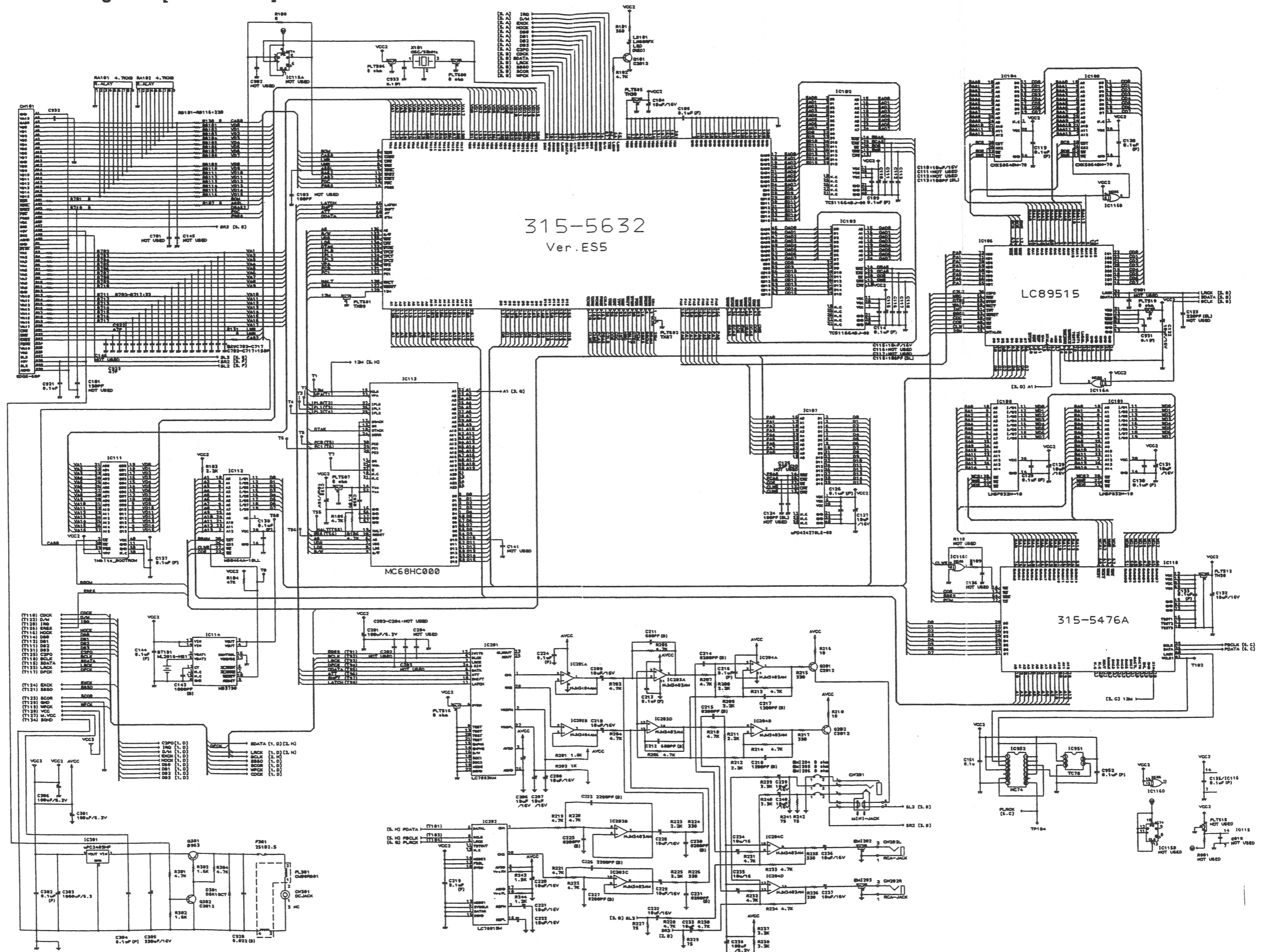


2. SCHEMATIC DIAGRAM

2-1. Schematic Diagram-1 [SEGA CD II]



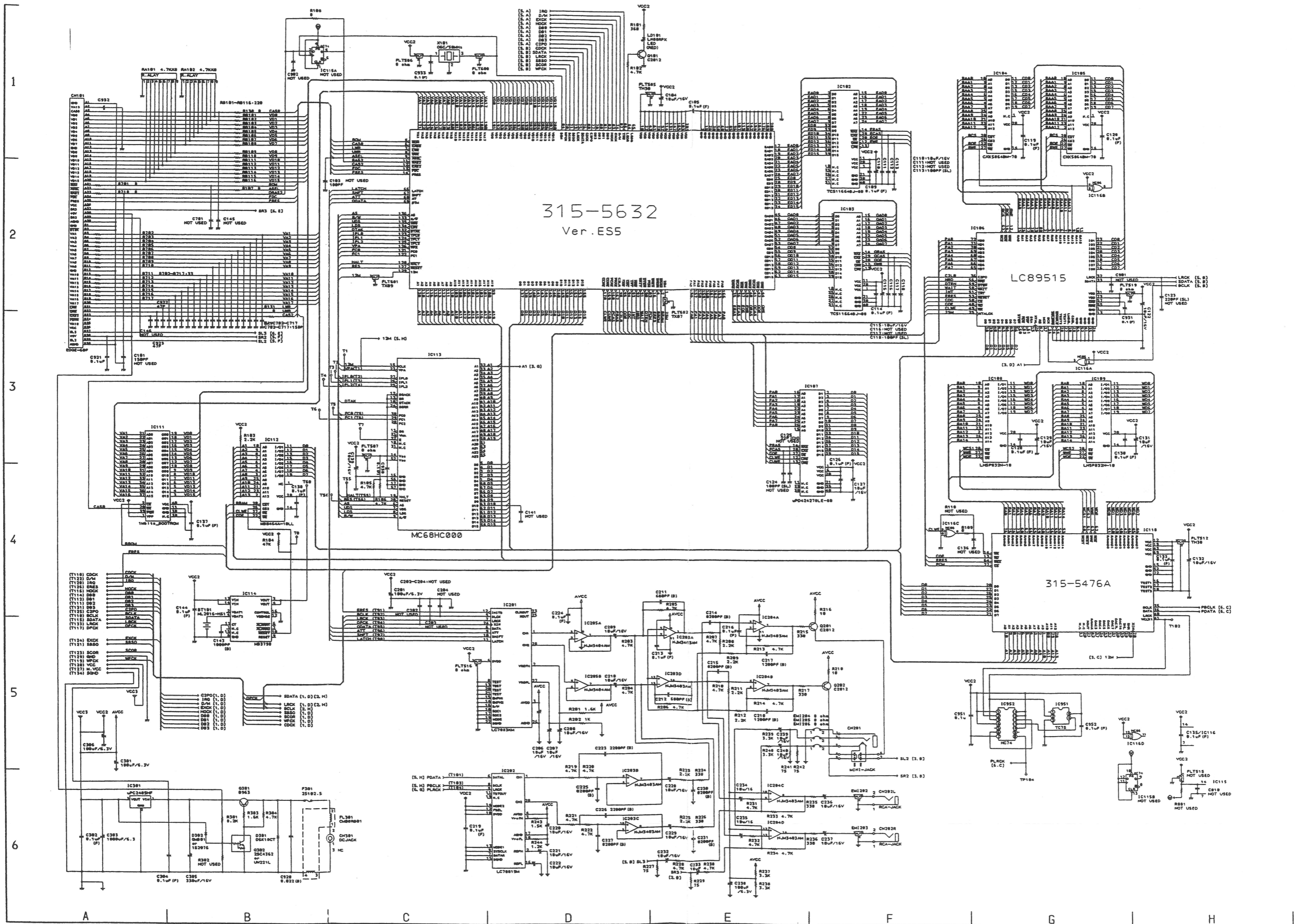
315-5632
Ver.E55

LC8951

MC68HC000

315-5476A

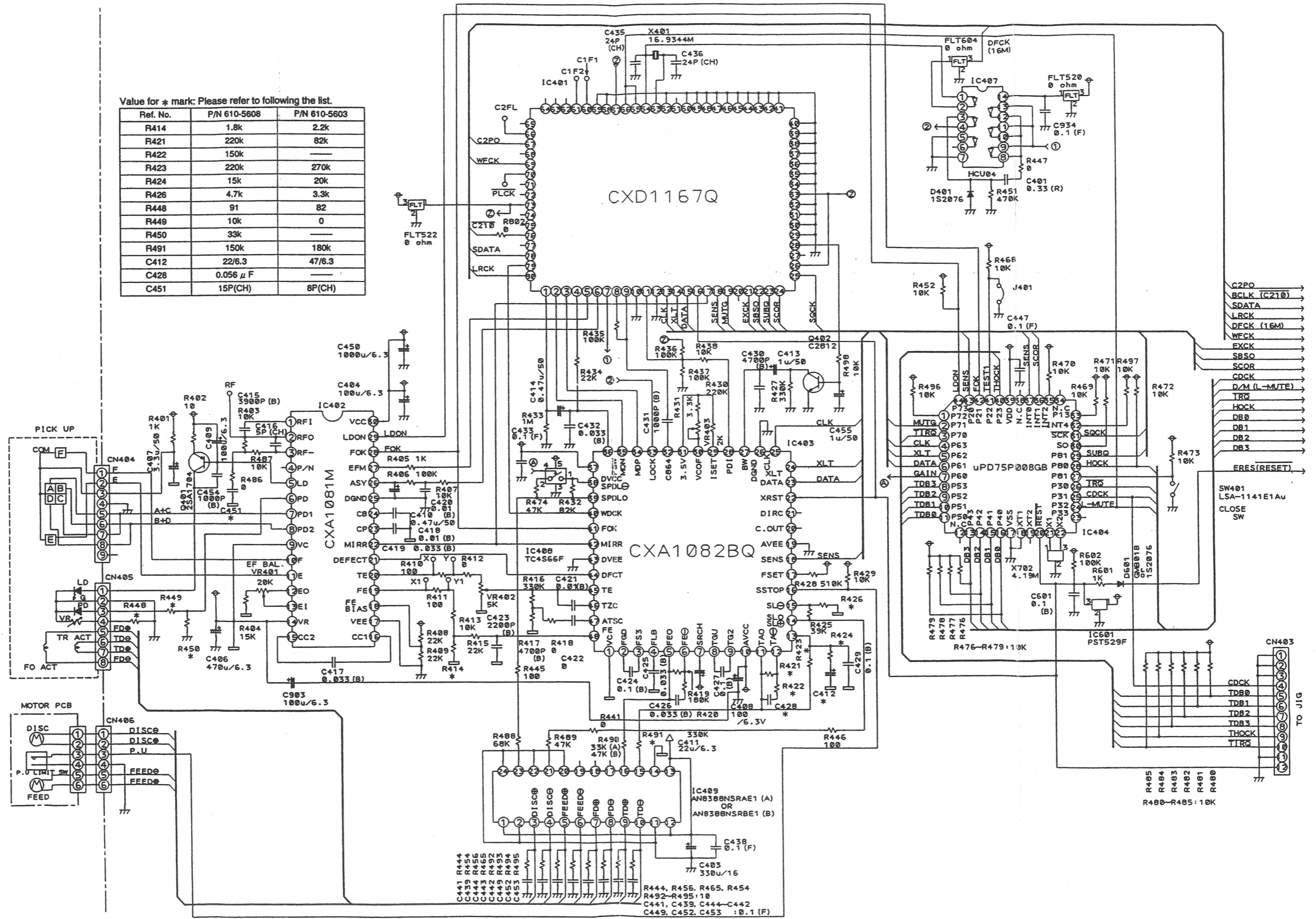
2-2. Schematic Diagram-2 [MEGA CD II]



2-3. Schematic Diagram-3

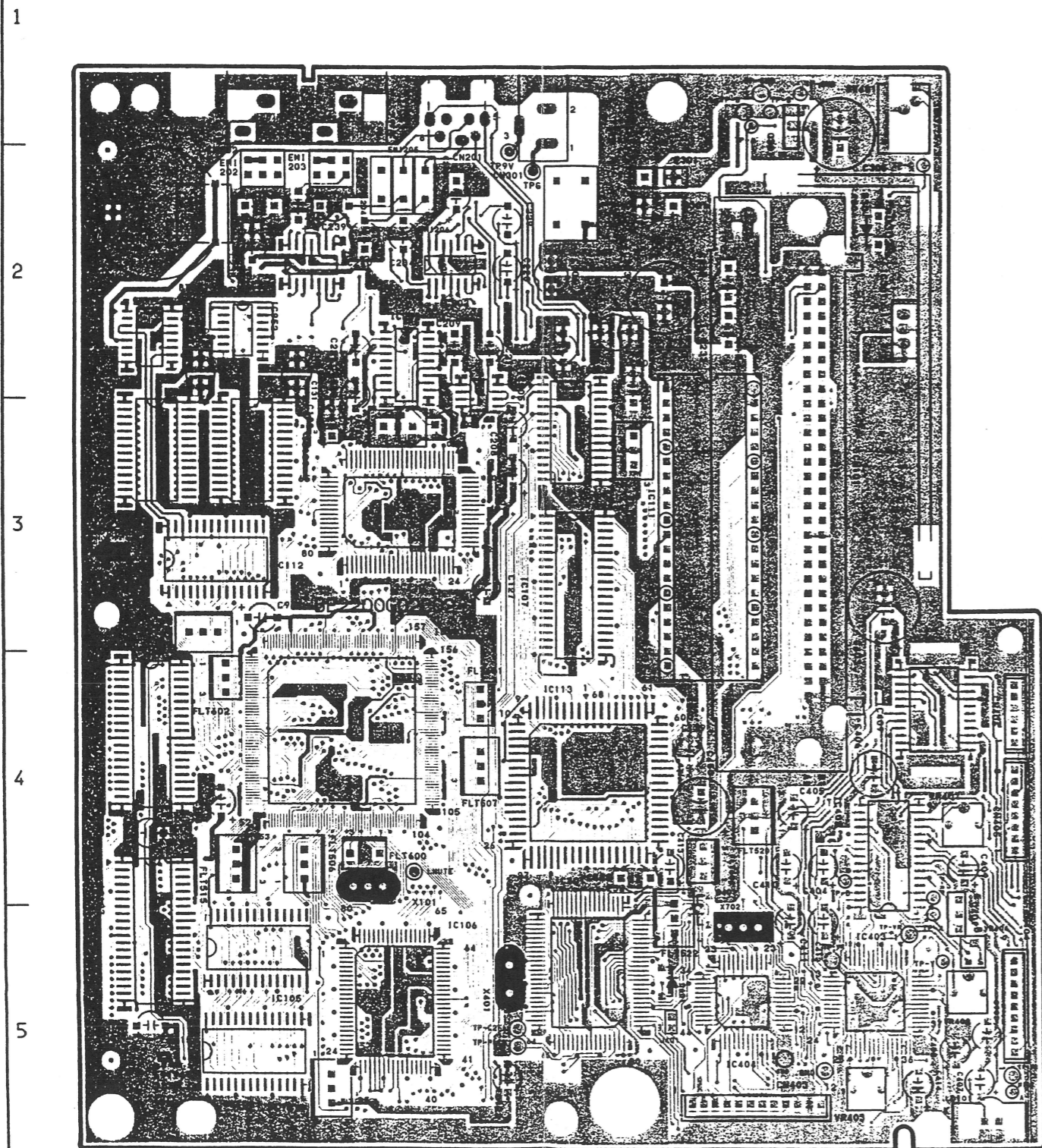
Value for * mark: Please refer to following the list.

Ref. No.	P/N 610-5608	P/N 610-5603
R414	1.8k	2.2k
R421	220k	82k
R422	150k	—
R423	220k	270k
R424	15k	20k
R426	4.7k	3.3k
R448	91	82
R449	10k	0
R450	33k	—
R491	150k	180k
C412	22/6.3	47/6.3
C428	0.056 μ F	—
C451	15P(CH)	8P(CH)

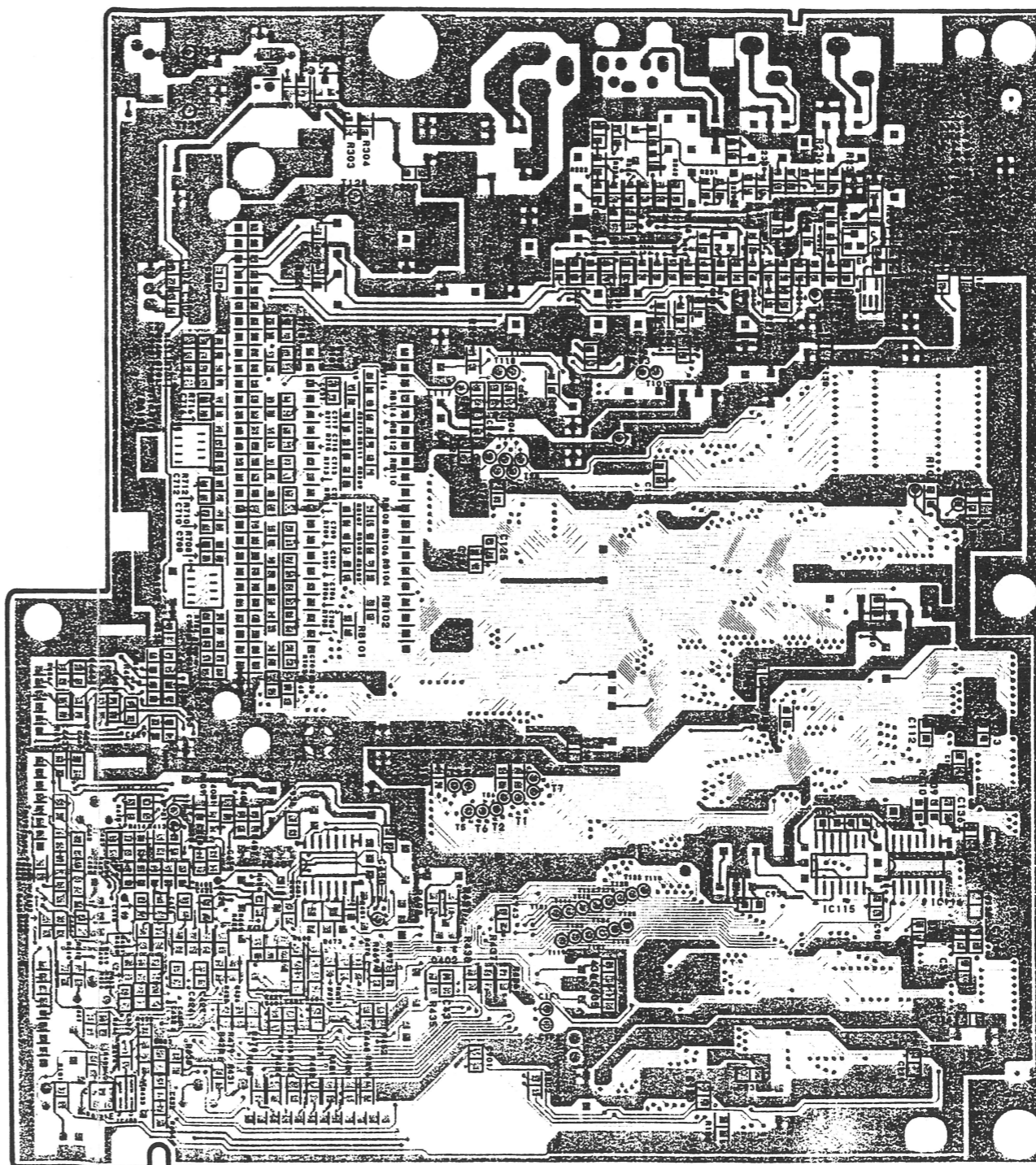


3. CIRCUIT BOARD DIAGRAM

3-1. Main Circuit Board [Top View]

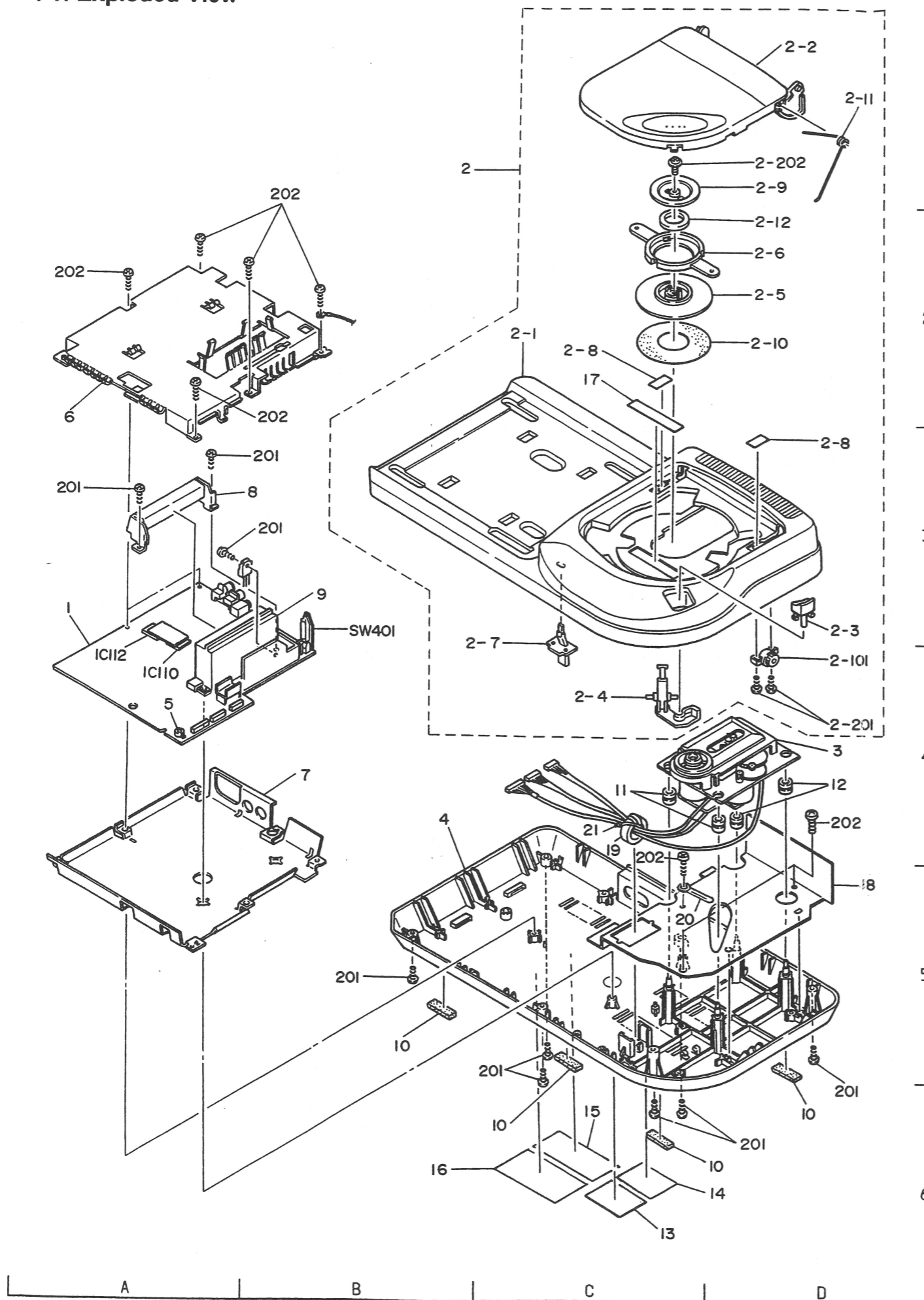


3-2. Main Circuit Board [Bottom View]



4. EXPLODED VIEW & PARTS LIST

4-1. Exploded View



4-2. Mechanical Parts List

4-3. Electrical Parts List

Ref. No.	Parts No.	Description	Circuit No.	Parts No.	Description
1	837-10210	IC BD SEGA-CD2 MAIN USA CH [KS]	IC101	315-5632	IC CUSTOM CHIP MCE3 FUJITSU
1	837-10213	IC BD SEGA-CD2 MAIN USA CHSS [SS]	IC102	315-0745-80	IC TC511664BJ-80 SOJ TOSHIBA
1	837-10211	IC BD MEGA-CD2 MAIN MULTI CH [KM]	IC102	315-0804-70	IC UPD421664LE-70 SOJ NEC
1	837-10214	IC BD MEGA-CD2 MAIN MULTI CHSS [SM]	IC102	315-0804-80	IC UPD421664-80 SOJ NEC
2	610-5466	ASSY TOP CASE SEGA-CD2 USA [KS, SS]	IC102	315-0805-80	IC UPD421664-80L SOJ NEC
2	610-5467	ASSY TOP CASE MEGA-CD2 MULTI [KM, SM]	IC103	315-0745-80	IC TC511664BJ-80 SOJ TOSHIBA
2-1	253-6661	TOP CASE MEGA-CD2 EXPORT	IC103	315-0804-70	IC UPD421664LE-70 SOJ NEC
2-2	253-6635	DOOR SEGA-CD2 USA [KS, SS]	IC103	315-0804-80	IC UPD421664-80 SOJ NEC
2-2	253-6636	DOOR MEGA-CD2 MULTI [KM, SM]	IC103	315-0805-80	IC UPD421664-80L SOJ NEC
2-3	253-6562-01	DOOR KNOB SEGA-CD2 USA [KS, SS]	IC104	315-0651	IC MB8464A-80 SOP 28P FUJITSU
2-3	253-6562-02	DOOR KNOB MEGA-CD2 MULTI [KM, SM]	IC104	315-0651-90	IC MB8464A-90 SOP 28P
2-4	253-6563	DOOR LEVER MEGA-CD2	IC104	315-0773	IC CXK5864CM-70LL-T6 SOP SONY
2-5	253-6564	CHUCK DISK MEGA-CD2	IC104	315-0796-70	IC CXK5864BM-70 SOP SONY
2-6	253-6565	CHUCK HOLDER MEGA-CD2	IC105	315-0651	IC MB8464A-80 SOP 28P FUJITSU
2-7	253-6566	LED LENS MEGA-CD2	IC105	315-0651-90	IC MB8464A-90 SOP 28P
2-8	253-6569	BLIND SHEET MEGA-CD2	IC105	315-0773	IC CXK5864CM-70LL-T6 SOP SONY
2-8	253-6569	BLIND SHEET MEGA-CD2	IC105	315-0796-70	IC CXK5864BM-70 SOP SONY
2-9	250-5306	CONNECT PLATE MEGA-CD2	IC106	313-5181-01	IC LC89515 QFP SANYO
2-10	601-6983	CHUCK SHEET MEGA-CD2	IC107	315-0739-80	IC UPD424270LE-80 NEC
2-11	125-5101	DOOR SPRING MEGA-CD2	IC107	315-0777-80	IC HM514270AJ-8 SOJ HITACHI
2-12	113-0020	MAGNET MEGA-CD2 TK-4094 TOKIN	IC107	315-0818	IC MS44270AJ-8 SOJ MITSUBISHI
2-101	601-7018	OIL DAMPER MEGA-CD2	IC107	315-0822-80	IC MN414270SJ-08 SOJ PANASONIC
2-201	012-P00210	TAP SCR PH 2X10	IC108	315-0677	IC TC51832FL-10 SOP TOSHIBA
2-202	029-000016	CUP SCR 2.6*5	IC108	315-0759-10	IC TC51832AFL-10 SOP TOSHIBA
3	610-5608	CD DRIVE UNIT MEGA-CD2 V2 [KS, KM]	IC108	315-0760-10	IC LH5P832N-10 SOP SHARP
3	610-5603	CD DRIVE UNIT MEGA-CD2 SS [SS, SM]	IC109	315-0677	IC TC51832FL-10 SOP TOSHIBA
4	253-6651	BOTTOM CASE MEGA-CD2 EXPORT [KS, SS]	IC109	315-0759-10	IC TC51832AFL-10 SOP TOSHIBA
4	253-6651A	BOTTOM CASE MCD2 EXPORT ALPEX [KM, SM]	IC109	315-0760-10	IC LH5P832N-10 SOP SHARP
5	253-6567	LED HOLDER MEGA-CD2	IC110	315-5476A	IC CUSTOM CHIP RF5C164A RICHIO
6	250-5327	TOP SHIELD CD2 EXPORT	IC111	MPR-15511	SEGA-CD2 USA BOOT ROM [KS, SS]
7	250-5328	BOTTOM SHIELD CD2 EXPORT	IC111	MPR-15511A	SEGA-CD2 USA BOOT ROM [KS, SS]
8	250-5325	CONNECTER SHIELD A CD2 EXPORT	IC111	MPR-15512	IC MEGA-CD2 (PAL) BOOT ROM L661 [KM, SM]
9	250-5326	CONNECTER SHIELD B CD2 EXPORT	IC111	MPR-15512A	IC MEGA-CD2 (PAL) BOOT ROM VER2 [KM, SM]
10	601-6982	RUBBER FOOT MEGA-CD2	IC112	315-0635	IC MB8464A-10LL PF-G-BND FUJIT
11	601-6984	RUBBER DAMPER A MEGA-CD2	IC113	315-0637	IC MC68HC000FN12 PLCC MOTOROLA
12	601-7002	RUBBER DAMPER B MEGA-CD2	IC113	315-0650	IC HD68HC000CP-12 PLCC HITACHI
13	670-3119	LABEL SER. NO. MK-4101 USA [KS, SS]	IC114	313-5190	IC MB3790 SOP 16PIN FUJITSU
13	670-3120	LABEL SER. NO. MEGA-CD2 MULTI [KM, SM]	IC115	NOT USED	NOT USED
14	670-3126-01	LABEL FDA MK-4101 USA [KS, SS]	IC116	314-0549-01	IC TC74HC86 SOP TOSHIBA
14	670-2774	LABEL CAUTION LASER EUROPE [KM, SM]	IC201	313-5184	IC LC7883KM SOP SANYO
15	670-0248	SEAL CUSTOMER SERVICE [KS, SS]	IC202	313-5231	IC LC78815M SOP 20P SANYO
15	670-4562	LABEL RFI & CE MARK [KM, SM]	IC203	313-5249	IC NJM3403AM SOP
16	670-3204A	LABEL FCC & ALPEX SCD2 USA [KS, SS]	IC204	313-5249	IC NJM3403AM SOP
17	670-3210	CAUTION LABEL MEGA-CD2 MULTI [KM, SM]	IC205	313-5250	IC NJM3404AM SOP
17	670-3209	CAUTION LABEL SEGA-CD2 USA [KS, SS]	IC301	313-5193	IC UPC2405HF NEC
18	250-5350	CD UNIT SHIELD CD2 EXPORT	IC401	315-0798	IC CXD11670 QFP
19	270-5074	FERRITE CORE CD2 EXPORT	IC402	313-5251	IC CXA1081M SOP
20	280-5242	HARNESS LUG L=35MM	IC403	313-5252	IC CXA1082Q QFP
21	601-0460	PLASTIC TIE BELT 100 M/M	IC404	315-0799	IC UPD75P008GB QFP
201	012-P00310	TAP SCR PH 3X10	IC404	315-0808	IC UPD75006GB QFP
202	012-P00308	TAP SCR PH 3X8	IC404	315-0848	IC UPD75006GB-639-384
			IC407	314-0571	IC 74HC04 SOP
			IC408	313-5253	IC TC4566F-TE85R
			IC409	314-0572	IC AN8388SR SOP
			IC409	314-0585	IC AN8388NSRBE1 SOP
			IC601	314-0573	IC PST529F MMP3P RESET IC
			IC951	315-0853	IC TC7S04F
			IC952	314-0407	IC 74HC74

[NOTE] [KS]: SEGA CD II, CD DRIVE UNIT P/N 610-5608
[KM]: MEGA CD II, CD DRIVE UNIT P/N 610-5608

[SS]: SEGA CD II, CD DRIVE UNIT P/N 610-5603
[SM]: MEGA CD II, CD DRIVE UNIT P/N 610-5603

Circuit No.	Parts No.	Description	Circuit No.	Parts No.	Description	
Q 101 Q 101	482-5191 482-5192	XSTR CHIP 25C2812-5-CP-TB XSTR CHIP 25C2812-6-CP-TB	RA102	477-0152	RES PACK CP 8*4. 7K OHM W/COMM	
Q 201 Q 201	482-5191 482-5192	XSTR CHIP 25C2812-5-CP-TB XSTR CHIP 25C2812-6-CP-TB	RB101 RB102 RB103 RB104 RB105	476-2221-J-10 476-2221-J-10 476-2221-J-10 476-2221-J-10 476-2221-J-10	RES CHIP 220 OHM 1/10W 5% RES CHIP 220 OHM 1/10W 5% RES CHIP 220 OHM 1/10W 5% RES CHIP 220 OHM 1/10W 5% RES CHIP 220 OHM 1/10W 5%	
Q 202 Q 202	482-5191 482-5192	XSTR CHIP 25C2812-5-CP-TB XSTR CHIP 25C2812-6-CP-TB	RB106 RB107 RB108 RB109 RB110	476-2221-J-10 476-2221-J-10 476-2221-J-10 476-2221-J-10 476-2221-J-10	RES CHIP 220 OHM 1/10W 5% RES CHIP 220 OHM 1/10W 5% RES CHIP 220 OHM 1/10W 5% RES CHIP 220 OHM 1/10W 5% RES CHIP 220 OHM 1/10W 5%	
Q 301 Q 301 Q 301	482-5193 482-5194 482-5195	XSTR 25B963 M XSTR 25B963 L XSTR 25B963 K	RB111 RB112 RB113 RB114 RB115	476-2221-J-10 476-2221-J-10 476-2221-J-10 476-2221-J-10 476-2221-J-10	RES CHIP 220 OHM 1/10W 5% RES CHIP 220 OHM 1/10W 5% RES CHIP 220 OHM 1/10W 5% RES CHIP 220 OHM 1/10W 5% RES CHIP 220 OHM 1/10W 5%	
Q 302 Q 302 Q 302 Q 302	482-5191 482-5192 482-5204 482-5205	XSTR CHIP 25C2812-5-CP-TB XSTR CHIP 25C2812-6-CP-TB XSTR CHIP 25C4362 XSTR CHIP UN221L	[KS, SS] [KS, SS] [KM, SM] [KM, SM]	RB111 RB112 RB113 RB114 RB115	476-2221-J-10 476-2221-J-10 476-2221-J-10 476-2221-J-10 476-2221-J-10	RES CHIP 220 OHM 1/10W 5% RES CHIP 220 OHM 1/10W 5% RES CHIP 220 OHM 1/10W 5% RES CHIP 220 OHM 1/10W 5% RES CHIP 220 OHM 1/10W 5%
Q 401 Q 401	482-5196 482-5197	XSTR 25A1704 S-AN XSTR 25A1704 T-AN	RB116	476-2221-J-10	RES CHIP 220 OHM 1/10W 5%	
Q 402 Q 402	482-5191 482-5192	XSTR CHIP 25C2812-5-CP-TB XSTR CHIP 25C2812-6-CP-TB	SW401	250-5342	SW COVER CD2 SY	
D 301	481-5119	DIODE DSK10-ET1	VR401 VR402 VR403 VR404	475-0073 475-0074 475-0075 NOT USED	V. RES C TRM 20K OHM B RADIAL V. RES C TRM 5K OHM B RADIAL V. RES C TRM 2K OHM B RADIAL NOT USED	
D 302 D 302	481-5120 NOT USED	DIODE 1S2076RE NOT USED	[KM, SM] [KS, SS]	VR401 VR402 VR403 VR404	475-0073 475-0074 475-0075 NOT USED	V. RES C TRM 20K OHM B RADIAL V. RES C TRM 5K OHM B RADIAL V. RES C TRM 2K OHM B RADIAL NOT USED
D 401 D 601	481-5120 481-5120	DIODE 1S2076RE DIODE 1S2076RE	X 101 X 401 X 702	230-5103 230-5104 230-5109	XTAL OSC 50.000MHZ JXO-7 XTAL OSC 16.9344MHZ HC-49U CER OSC 4.19MHZ	
BT101	401-0037	BATTERY ML2016-HS1 SANYO				
CN101	209-5068	EDGE CONN 60PIN CD2 CUSTOM	R 101 R 102 R 103 R 104 R 105	476-2361-J-10 476-2472-J-10 476-2222-J-10 476-2473-J-10 476-2472-J-10	RES CHIP 360 OHM 1/10W 5% RES CHIP 4.7KOHM 1/10W 5% RES CHIP 2.2KOHM 1/10W 5% RES CHIP 4.7KOHM 1/10W 5% RES CHIP 4.7KOHM 1/10W 5%	
CN201 CN202	210-5114 210-5115	STEREO MINIJACK HSJ2000-01-010 RCA JACK YKC21-0242	R 106 R 107 R 108 R 109 R 110	476-2472-J-10 479-5010-J-10 479-5010-J-10 479-5010-J-10 NOT USED	RES CHIP 4.7KOHM 1/10W 5% RES CHIP 0 OHM 1/10W RES CHIP 0 OHM 1/10W RES CHIP 0 OHM 1/10W NOT USED	
CN301	212-5378	DC JACK HECO470-01-630	R 130 R 131	479-5010-J-10 479-5010-J-10	RES CHIP 0 OHM 1/10W RES CHIP 0 OHM 1/10W	
CN403 CN404 CN405 CN406	212-5382 212-5379 212-5380 212-5381	PIN HEADER ST IL-S-12P-S2T2-EF CONN BASE 9P B9B-PH-K-S CONN BASE 8P B8B-PH-K-S CONN BASE 6P B6B-PH-K-S	R 201 R 202 R 203 R 204 R 205	476-2162-J-10 476-2102-J-10 476-2472-J-10 476-2472-J-10 476-2472-J-10	RES CHIP 1.6KOHM 1/10W 5% RES CHIP 1KOHM 1/10W 5% RES CHIP 4.7KOHM 1/10W 5% RES CHIP 4.7KOHM 1/10W 5% RES CHIP 4.7KOHM 1/10W 5%	
EMI202 EMI202 EMI202	271-0007 271-0073 479-5009	EMI FILTER STX222MB EMI FILTER ED31-D222M RES 0 OHM 1/4W	R 206 R 207 R 208 R 209 R 210	476-2472-J-10 476-2472-J-10 476-2222-J-10 476-2222-J-10 476-2472-J-10	RES CHIP 4.7KOHM 1/10W 5% RES CHIP 4.7KOHM 1/10W 5% RES CHIP 2.2KOHM 1/10W 5% RES CHIP 2.2KOHM 1/10W 5% RES CHIP 4.7KOHM 1/10W 5%	
EMI203 EMI203 EMI203	271-0007 271-0073 479-5009	EMI FILTER STX222MB EMI FILTER ED31-D222M RES 0 OHM 1/4W	R 211 R 212 R 213 R 214 R 215	476-2222-J-10 476-2222-J-10 476-2472-J-10 476-2472-J-10 476-2331-J-10	RES CHIP 2.2KOHM 1/10W 5% RES CHIP 2.2KOHM 1/10W 5% RES CHIP 4.7KOHM 1/10W 5% RES CHIP 4.7KOHM 1/10W 5% RES CHIP 330 OHM 1/10W 5%	
EMI204 EMI205 EMI206	479-5009 479-5009 479-5009	RES 0 OHM 1/4W RES 0 OHM 1/4W RES 0 OHM 1/4W	R 216 R 217 R 218 R 219 R 220	476-2100-J-10 476-2331-J-10 476-2100-J-10 476-2472-J-10 476-2472-J-10	RES CHIP 10 OHM 1/10W 5% RES CHIP 330 OHM 1/10W 5% RES CHIP 10 OHM 1/10W 5% RES CHIP 4.7KOHM 1/10W 5% RES CHIP 4.7KOHM 1/10W 5%	
F 301	514-5060	FUSE PICO 11 25102.5 AXIAL	R 221 R 222 R 223 R 224 R 225	476-2472-J-10 476-2472-J-10 476-2222-J-10 476-2331-J-10 476-2222-J-10	RES CHIP 4.7KOHM 1/10W 5% RES CHIP 4.7KOHM 1/10W 5% RES CHIP 2.2KOHM 1/10W 5% RES CHIP 330 OHM 1/10W 5% RES CHIP 2.2KOHM 1/10W 5%	
FL301	271-0054	LINE FILTER CM08RB01	R 226 R 227	476-2331-J-10 476-2750-J-10	RES CHIP 330 OHM 1/10W 5% RES CHIP 75 OHM 1/10W 5%	
FLT505 FLT506 FLT507 FLT512 FLT516	271-0058 479-5009 479-5009 271-0058 479-5009	FILMAC TH30333MAT RES 0 OHM 1/4W RES 0 OHM 1/4W FILMAC TH30333MAT RES 0 OHM 1/4W	R 228 R 229 R 230	476-2472-J-10 476-2750-J-10 476-2472-J-10	RES CHIP 4.7KOHM 1/10W 5% RES CHIP 75 OHM 1/10W 5% RES CHIP 4.7KOHM 1/10W 5%	
FLT519 FLT520 FLT522	479-5009 479-5009 479-5009	RES 0 OHM 1/4W RES 0 OHM 1/4W RES 0 OHM 1/4W	R 231 R 232 R 233	476-2472-J-10 476-2472-J-10 476-2472-J-10	RES CHIP 4.7KOHM 1/10W 5% RES CHIP 4.7KOHM 1/10W 5% RES CHIP 4.7KOHM 1/10W 5%	
FLT600 FLT601 FLT602 FLT604	479-5009 271-0059 271-0060 479-5009	RES 0 OHM 1/4W FILMAC TX09500NBT FILMAC TX07250NBT RES 0 OHM 1/4W	R 234 R 235	476-2472-J-10 476-2331-J-10	RES CHIP 4.7KOHM 1/10W 5% RES CHIP 330 OHM 1/10W 5%	
LD101	390-5449	LED LN88RPX	R 236 R 237	476-2331-J-10 476-2750-J-10	RES CHIP 330 OHM 1/10W 5% RES CHIP 75 OHM 1/10W 5%	
RA101	477-0152	RES PACK CP 8*4. 7K OHM W/COMM	R 226 R 227	476-2331-J-10 476-2750-J-10	RES CHIP 330 OHM 1/10W 5% RES CHIP 75 OHM 1/10W 5%	

Circuit No.	Parts No.	Description	Circuit No.	Parts No.	Description	
R 228 R 229 R 230	476-2472-J-10 476-2750-J-10 476-2472-J-10	RES CHIP 4.7KOHM 1/10W 5% RES CHIP 75 OHM 1/10W 5% RES CHIP 4.7KOHM 1/10W 5%	R 432 R 433 R 434 R 435 R 436	476-2823-J-10 476-2105-J-10 476-2223-J-10 476-2104-J-10 476-2104-J-10	RES CHIP 82K OHM 1/10W 5% RES CHIP 1MOHM 1/10W 5% RES CHIP 22KOHM 1/10W 5% RES CHIP 100KOHM 1/10W 5% RES CHIP 100KOHM 1/10W 5%	
R 231 R 232 R 233 R 234 R 235	476-2472-J-10 476-2472-J-10 476-2472-J-10 476-2472-J-10 476-2331-J-10	RES CHIP 4.7KOHM 1/10W 5% RES CHIP 4.7KOHM 1/10W 5% RES CHIP 4.7KOHM 1/10W 5% RES CHIP 4.7KOHM 1/10W 5% RES CHIP 330 OHM 1/10W 5%	R 437 R 438 R 441 R 444 R 445	476-2104-J-10 476-2103-J-10 479-5010-J-10 476-2100-J-10 476-2101-J-10	RES CHIP 100KOHM 1/10W 5% RES CHIP 10KOHM 1/10W 5% RES CHIP 0 OHM 1/10W RES CHIP 10 OHM 1/10W 5% RES CHIP 100 OHM 1/10W 5%	
R 236 R 237 R 238 R 239 R 240	476-2331-J-10 476-2332-J-10 476-2332-J-10 476-2332-J-10 476-2332-J-10	RES CHIP 330 OHM 1/10W 5% RES CHIP 3.3KOHM 1/10W 5% RES CHIP 3.3KOHM 1/10W 5% RES CHIP 3.3KOHM 1/10W 5% RES CHIP 3.3KOHM 1/10W 5%	R 446 R 447	476-2101-J-10 479-5010-J-10	RES CHIP 100 OHM 1/10W 5% RES CHIP 0 OHM 1/10W	
R 241 R 242 R 243 R 244	476-2750-J-10 476-2750-J-10 476-2152-J-10 476-2122-J-10	RES CHIP 75 OHM 1/10W 5% RES CHIP 75 OHM 1/10W 5% RES CHIP 1.5KOHM 1/10W 5% RES CHIP 1.2KOHM 1/10W 5%	R 448 R 448 R 449 R 449	476-2820-J-10 476-2910-J-10 476-2103-J-10 479-5010-J-10	RES CHIP 82 OHM 1/10W 5% RES CHIP 91 OHM 1/10W 5% RES CHIP 10KOHM 1/10W 5% RES CHIP 0 OHM 1/10W	
R 301 R 301	476-2472-J-10 476-2822-J-10	RES CHIP 4.7KOHM 1/10W 5% RES CHIP 8.2KOHM 1/10W 5%	[KS, SS] [KM, SM]	R 450 R 450	476-2333-J-10 NOT USED	RES CHIP 33KOHM 1/10W 5% NOT USED
R 302 R 302	476-2162-J-10 NOT USED	RES CHIP 1.6KOHM 1/10W 5% NOT USED	[KS, SS] [KM, SM]	R 451 R 452	476-2474-J-10 476-2103-J-10	RES CHIP 470KOHM 1/10W 5% RES CHIP 10KOHM 1/10W 5%
R 303 R 304	476-2162-J-10 476-2472-J-10	RES CHIP 1.6KOHM 1/10W 5% RES CHIP 4.7KOHM 1/10W 5%	R 454 R 455	476-2100-J-10 476-2100-J-10	RES CHIP 10 OHM 1/10W 5% RES CHIP 10 OHM 1/10W 5%	
R 401 R 402 R 403 R 404 R 405	476-2102-J-10 476-2100-J-10 476-2103-J-10 476-2153-J-10 476-2102-J-10	RES CHIP 1KOHM 1/10W 5% RES CHIP 10 OHM 1/10W 5% RES CHIP 10KOHM 1/10W 5% RES CHIP 15KOHM 1/10W 5% RES CHIP 1KOHM 1/10W 5%	R 468 R 469 R 470 R 471 R 472	476-2103-J-10 476-2103-J-10 476-2103-J-10 476-2103-J-10 476-2103-J-10	RES CHIP 10KOHM 1/10W 5% RES CHIP 10KOHM 1/10W 5% RES CHIP 10KOHM 1/10W 5% RES CHIP 10KOHM 1/10W 5% RES CHIP 10KOHM 1/10W 5%	
R 406 R 407 R 408 R 409 R 410	476-2104-J-10 476-2103-J-10 476-2223-J-10 476-2223-J-10 476-2101-J-10	RES CHIP 100KOHM 1/10W 5% RES CHIP 10KOHM 1/10W 5% RES CHIP 22KOHM 1/10W 5% RES CHIP 22KOHM 1/10W 5% RES CHIP 100 OHM 1/10W 5%	R 473 R 474 R 476 R 477 R 478	476-2103-J-10 476-2473-J-10 476-2103-J-10 476-2103-J-10 476-2103-J-10	RES CHIP 10KOHM 1/10W 5% RES CHIP 47KOHM 1/10W 5% RES CHIP 10KOHM 1/10W 5% RES CHIP 10KOHM 1/10W 5% RES CHIP 10KOHM 1/10W 5%	
R 411 R 412 R 413	476-2101-J-10 479-5010-J-10 476-2103-J-10	RES CHIP 100 OHM 1/10W 5% RES CHIP 0 OHM 1/10W RES CHIP 10KOHM 1/10W 5%	R 479 R 480 R 481	476-2103-J-10 476-2103-J-10 476-2103-J-10	RES CHIP 10KOHM 1/10W 5% RES CHIP 10KOHM 1/10W 5% RES CHIP 10KOHM 1/10W 5%	
R 414 R 414	476-2182-J-10 476-2222-J-10	RES CHIP 1.8KOHM 1/10W 5% RES CHIP 2.2KOHM 1/10W 5%	[KS, KM] [SS, SM]	R 482 R 483	476-2103-J-10 476-2103-J-10	RES CHIP 10KOHM 1/10W 5% RES CHIP 10KOHM 1/10W 5%
R 415 R 416 R 417 R 418 R 419	476-2223-J-10 476-2334-J-10 151-0421 479-5010-J-10 476-2184-J-10	RES CHIP 22KOHM 1/10W 5% RES CHIP 330K OHM 1/10W 5% CAP CER CH 4700PF/50V B K RES CHIP 0 OHM 1/10W RES CHIP 180KOHM 1/10W 5%	R 484 R 485 R 486 R 487 R 488	476-2103-J-10 476-2103-J-10 479-5010-J-10 476-2103-J-10 476-2683-J-10	RES CHIP 10KOHM 1/10W 5% RES CHIP 10KOHM 1/10W 5% RES CHIP 0 OHM 1/10W RES CHIP 10KOHM 1/10W 5% RES CHIP 68KOHM 1/10W 5%	
R 420	476-2334-J-10	RES CHIP 330K OHM 1/10W 5%	R 489 R 490 R 490	476-2473-J-10 476-2333-J-10 476-2473-J-10	RES CHIP 47KOHM 1/10W 5% RES CHIP 33KOHM 1/10W 5% RES CHIP 47KOHM 1/10W 5%	
R 421 R 421	476-2224-J-10 476-2823-J-10	RES CHIP 220KOHM 1/10W 5% RES CHIP 82KOHM 1/10W 5%	[KS, KM] [SS, SM]	R 491 R 491	476-2154-J-10 476-2184-J-10	RES CHIP 150KOHM 1/10W 5% RES CHIP 180KOHM 1/10W 5%
R 422 R 422	476-2154-J-10 NOT USED	RES CHIP 150K OHM 1/10W 5% NOT USED	[KS, KM] [SS, SM]	R 492 R 493	476-2100-J-10 476-2100-J-10	RES CHIP 10 OHM 1/10W 5% RES CHIP 10 OHM 1/10W 5%
R 423 R 423	476-2224-J-10 476-2274-J-10	RES CHIP 220KOHM 1/10W 5% RES CHIP 270KOHM 1/10W 5%	[KS, KM] [SS, SM]	R 494 R 495 R 496	476-2100-J-10 476-2100-J-10 476-2103-J-10	RES CHIP 10 OHM 1/10W 5% RES CHIP 10 OHM 1/10W 5% RES CHIP 10 OHM 1/10W 5%
R 424 R 424	476-2153-J-10 476-2203-J-10	RES CHIP 15KOHM 1/10W 5% RES CHIP 20KOHM 1/10W 5%	[KS, KM] [SS, SM]	R 497 R 498	476-2103-J-10 476-2103-J-10	RES CHIP 10KOHM 1/10W 5% RES CHIP 10KOHM 1/10W 5%
R 425	476-2393-J-10	RES CHIP 39KOHM 1/10W 5%	R 601 R 602	476-2102-J-10 476-2104-J-10	RES CHIP 1KOHM 1/10W 5% RES CHIP 100KOHM 1/10W 5%	
R 426 R 426	476-2332-J-10 476-2472-J-10	RES CHIP 3.3KOHM 1/10W 5% RES CHIP 4.7KOHM 1/10W 5%	[SS, SM] [KS, KM]	R 701 R 702 R 703 R 704 R 705	479-5010-J-10 476-2330-J-10 476-2330-J-10 476-2330-J-10 476-2330-J-10	RES CHIP 0 OHM 1/10W RES CHIP 33 OHM 1/10W 5% RES CHIP 33 OHM 1/10W 5% RES CHIP 33 OHM 1/10W 5% RES CHIP 33 OHM 1/10W 5%
R 427 R 428 R 429 R 430 R 431	476-2334-J-10 476-2514-J-10 476-2103-J-10 476-2224-J-10 476-2332-J-10	RES CHIP 330K OHM 1/10W 5% RES CHIP 510KOHM 1/10W 5% RES CHIP 10KOHM 1/10W 5% RES CHIP 220KOHM 1/10W 5% RES CHIP 3.3KOHM 1/10W 5%	R 706	476-2330-J-10	RES CHIP 33 OHM 1/10W 5%	

[NOTE] [KS]: SEGA CD II, CD DRIVE UNIT P/N 610-5608
[KM]: MEGA CD II, CD DRIVE UNIT P/N 610-5608

[SS]: SEGA CD II, CD DRIVE UNIT P/N 610-5603
[SM]: MEGA CD II, CD DRIVE UNIT P/N 610-5603

[NOTE] [KS]: SEGA CD II, CD DRIVE UNIT P/N 610-5608
[KM]: MEGA CD II, CD DRIVE UNIT P/N 610-5608

[SS]: SEGA CD II, CD DRIVE UNIT P/N 610-5603
[SM]: MEGA CD II, CD DRIVE UNIT P/N 610-5603